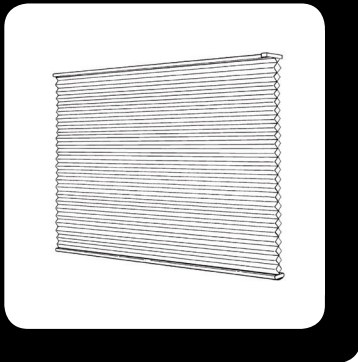


HONEYCOMB SHADES

UltraLift Cordless™



3DAYBLINDS®
YOU'LL LOVE THE TREATMENT

GETTING STARTED

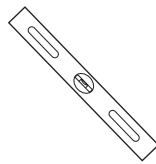
A few simple tools are required:



Steel Tape Measure



Pencil



Level



Power Drill and Drill Bits



Flathead & Phillips Screwdriver



Awl (or tool for starting a screw hole)

Included in your order is all the hardware necessary for a normal installation. Depending on the mounting surface, fasteners other than the screws provided may be required. Wall board and plaster require the use of anchors such as expansion or toggle bolts. Bricks, tile and stone need special plugs and drill bits. Wood should always be pre-drilled to avoid splitting.

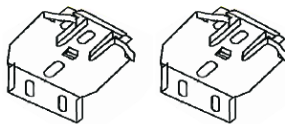
Professional installation is also available in most areas, call 800-800-3329.

STANDARD HARDWARE

Screws



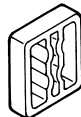
Mounting Brackets



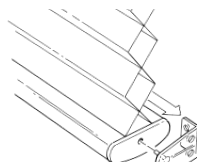
OPTIONAL HARDWARE



Extension Bracket



Spacers

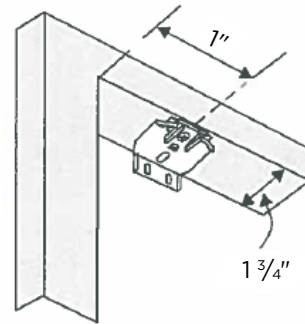


Hold Down Brackets with Screws

BRACKET INFORMATION

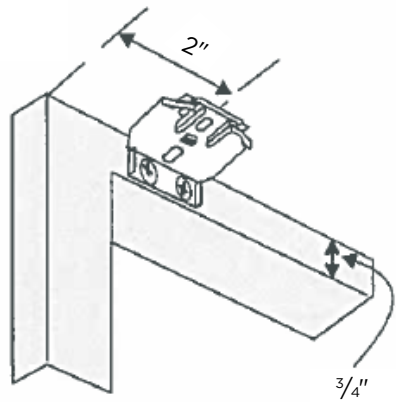
The brackets you received with your product are required for proper installation. Brackets should be installed 2" from each end. Any additional brackets will need to be evenly spaced between the two end brackets.

INSIDE MOUNT



- The brackets are mounted flat against the top sill surface. Place the bugle head screw through the hole closest to the front of the bracket. To fully recess the shade requires a flat surface with a minimum depth of 1 3/4". Shallow mountain requires 1/2" minimum.
- Additional brackets, if included, are REQUIRED for proper installation and should be installed evenly spaced between the two end brackets.
- Proceed to "Shade Installation".

OUTSIDE MOUNT

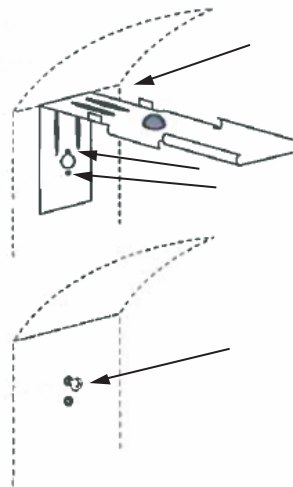


NOTE: You will be using your shade with mounting brackets attached to the headrail to mark the position of the brackets on your wall or molding. DO NOT CUT the cellophane wrapping as the fabric or the cords supporting the shade may be inadvertently cut.

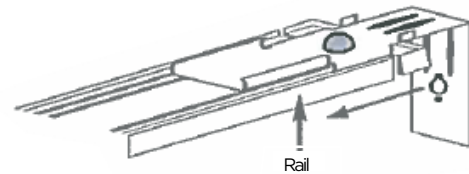
- Attach brackets to the headrail 2" from each end. Additional brackets, if included, are REQUIRED for proper installation and should be spaced evenly over the width of the headrail. Lower the shade to its full length. (See "Shade Operation".)

NOTE: If using extension brackets, attach mounting brackets to extension brackets with nuts and bolts before attaching brackets to headrail. (See "Optional Accessories".)

SIDE MOUNT



- Line up the bracket top with the desired height of the top of the headrail.
- Mark holes for screws. Brackets must be level. Remove brackets and drill holes.
- Insert bugle head screws for keyhole slots only. Approximately $\frac{1}{8}$ " of the screw should be left protruding.



- Pull end cap out of head rail and slide the bracket on as shown. Replace the end cap before sliding the bracket all of the way into the head rail.
- Remove the endcap from the opposite end of the headrail. Slide the remaining side mount bracket on the headrail. Replace the end cap before sliding the bracket all the way into the headrail.
- Hook one bracket onto the screw in the window frame, using the keyhole slot. Bring the other end bracket over the screw at the other side of the frame. Slide down, flexing bracket inward until the screw engages in the keyhole slot.
- Make sure both brackets are slipped down all the way in the keyhole slot so that the screw is in the top portion of the keyhole slot. Install a screw in the bottom hole of each bracket. Tighten all screws.

SHADE INSTALLATION

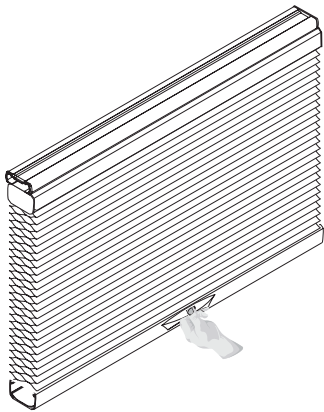
If you have not already done so, unwrap the cellophane from around the shade. DO NOT CUT the cellophane as the fabric or the cords supporting the shade may be inadvertently cut.

- Hold the shade up near the brackets and insert the front clip of the bracket into the front groove of the rail.
- Make sure the shade is centered in the window opening.
- Push the rail back and up until the back clips of the bracket are inserted in the back groove of the rail.



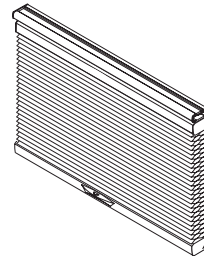
SHADE OPERATION

- Press the button on the handle to raise or lower the moveable rails. The rails will stay in position when the button is released.

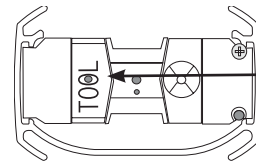


LEVEL THE MOVING RAIL(S) (if necessary)

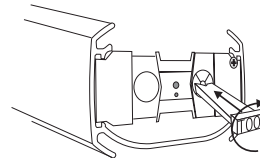
If the bottom rail of the shade is not level, it can be adjusted by following the procedure below.



- Remove the right end cap from the bottom rail.



- Pull out the section labeled TOOL.

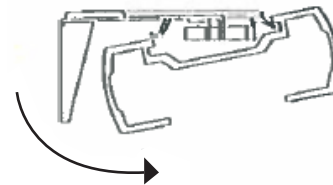


- Push in on the adjustment screw with the tool and turn to adjust the rail. Turning clockwise will move the rail down, counterclockwise will move the rail up.

- When the rail is level, replace the tool and the endcap.

SHADE REMOVAL

Draw the shade completely up. (See “Shade Operation”) Push shade rail back and rotate the back of the shade down to release.

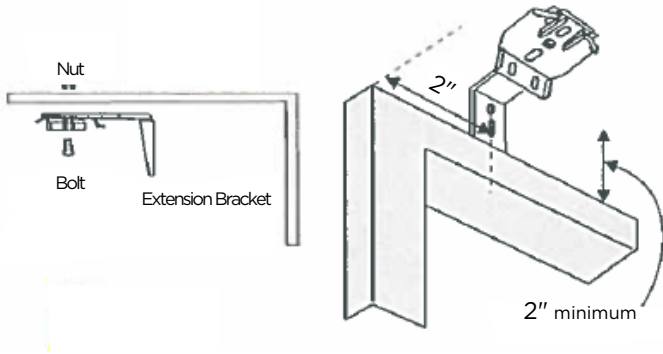


- Rotate the back of the headrail down and carefully lift the headrail off of the front hooks of the mounting brackets.

OPTIONAL ACCESSORIES

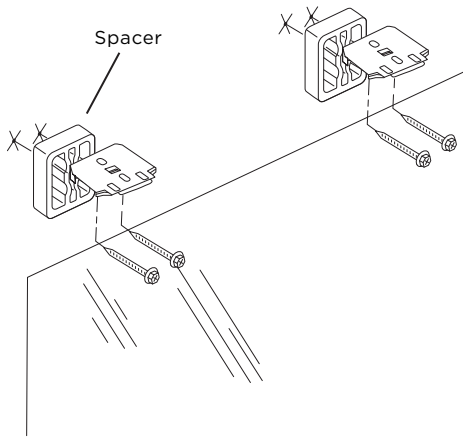
EXTENSION BRACKETS

Optional extension brackets are used to project the back of the shade up to 2 3/8" from the mounting surface.



- Attach each mounting bracket to an extension bracket using the nuts bolts and washers provided.
- Mount the extension bracket to the wall per the instructions for an "Outside Mount", using a level and making certain that all mounting brackets are level and project the same distance from the mounting surface. For maximum stability, install the screws diagonally from one another.
- Install the shade per the directions for "Shade Installation".

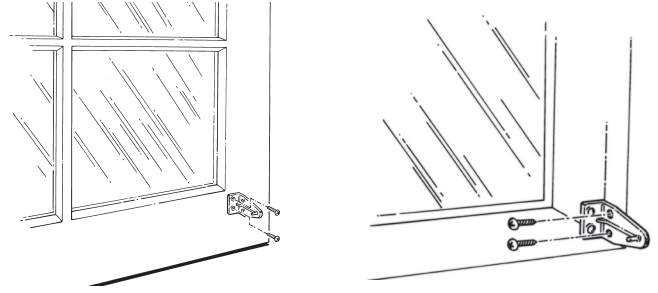
SPACERS



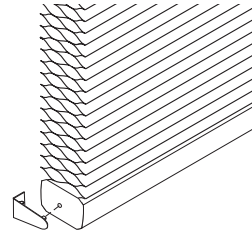
Spacers are available for use on windows with a projected molding. They are 3/8" thick and allow the shade to be mounted flush with the outside edge of any standard window molding. They are available by contacting our Customer Care Department at 800-800-3329.

HOLD DOWN BRACKETS

Hold down brackets are used primarily on shades mounted to doors or in motor homes. There are two small holes in the end caps that are covered by a thin plastic layer. Use the pin on the hold down bracket to push through the center of the end cap and it will break through the plastic layer.



- With the shade lowered to it's full length, place the pin of each hold down bracket into the hole in each end of the bottom rail.
- Mark the mounting surface, either to the side or back of the window frame, through the holes in the hold down bracket. Make sure the hold down brackets are level and aligned with each other.
- Raise the shade and screw the hold down brackets into the mounting surface using the screws provided.



- Lower the shade and flex the hold down bracket outward so that the pin can be inserted into the hole in the end cap.

PROTECT YOUR CHILDREN

Be aware that it is possible for children to strangle in window covering cords. To reduce the occurrence of accident, all cords must be kept out of the reach of children, including infants. Cord cleats are an effective way to implement this essential precaution.



Mount the cord cleat at a safe height, taking into account furniture or other objects upon which a child may climb. Then after each use of the shade, simply wrap the excess cord around the cleat. It's fast, easy and safe.

To protect your children, we are pleased to provide cord cleats free of charge with every shade that we manufacture.



WARNING

Young children can STRANGLE in cord and bead chain loops and in the loop(s) above the cord connector. They can also wrap cords around their necks and STRANGLE.



- Always keep cords and bead chains out of children's reach.
- Move cribs, playpens, and other furniture away from cords and bead chains. Children can climb furniture to get to cords.

ANSI/WMCA A100.1-2014 5.2.3



3DAYBLINDS®
YOU'LL LOVE THE TREATMENT
800-800-3329 | 3dayblinds.com